

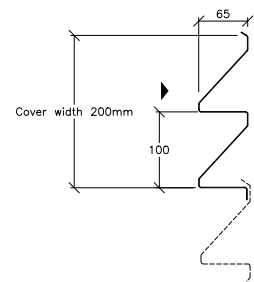


Louvre Profile with Integrated Live Louvres

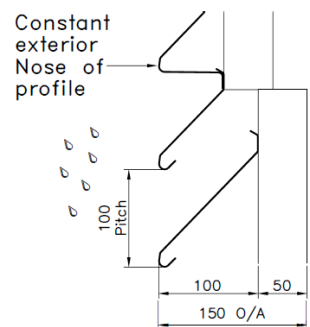
100% Non-Combustible Construction

- Exclusive profile shape to create a traditional louvre appearance
- Available with fully integrated 'live louvres' as Single and/or Double Bank types
- Roll formed in lengths up to 10m for less joints and very accurate profiles
- Available in Steel and Aluminium
- Available perforated as an alternative economic option to live louvres
- Available as a fire-resistance rated insulated system assembly when combined with APL Tritherm™ Spacer System, with simple system upgrades for improved fire resistance performance.
- A1 fire-rated materials available as BS EN 13501-1
- Available in PPC, Armacoil™HDP, Anodised, APL PUF, PRISMA and LG finishes
- Up to 40 year warranty available on both the coating and the substrate, including for marine environments
- Can be laid both horizontally and vertically
- BSRIA tested (**LB4 only**)
- System constructions available onto APL StrongBak™, cladding rails, SFS and blockwork

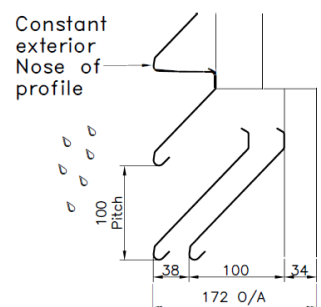
AP70 LCP Louvre Profile



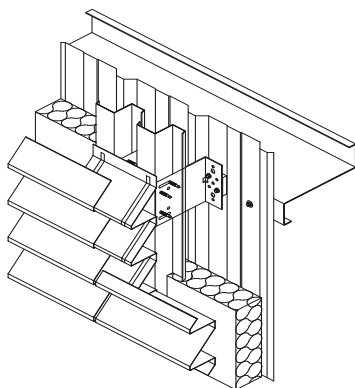
AP LB4 Live Louvre Single Bank



AP LB4 Live Louvre Double Bank



Typical AP 70 LCP Solid Louvre Profile Assembly



Typical AP70 LCP Louvre Profile with Integrated Live Louvres

