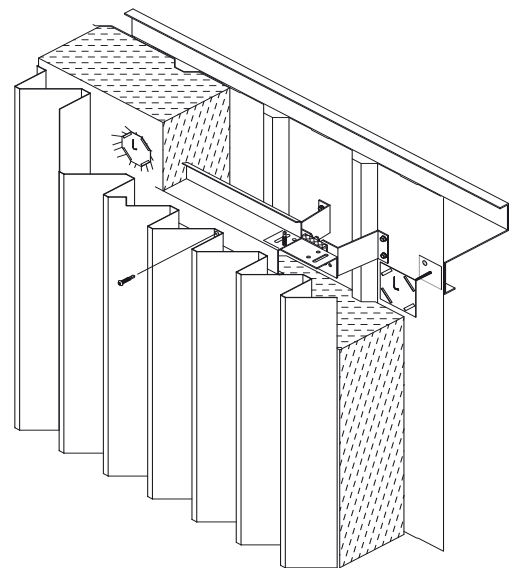


Custom Made Bespoke Profiles

100% Non-Combustible Construction

- APL Custom Bespoke profiles allow designers to choose their individual required colour, shape, finish and dimensions to deliver a result not achievable with standard roll-formed product
- The size and shape of the profiles can be changed
- The pitch of the profiles can be changed
- The depth of the profiles can be changed
- Available in aluminium, steel and Cor-Ten
- Available in natural mill finish aluminium, PPC, Armacoil™HDP Anodised, APL PUF and PRISMA
- Lengths upto 6m
- Variety of installation methods and available as secret fix, discreet face-fix fix, portrait & landscape
- System constructions available onto APL StrongBak™, cladding rails, SFS and blockwork
- Compatible with a variety of carrier systems - including the highly energy-efficient and economical Tritherm™ structural spacer system

Typical APL Bespoke Vertical Non-Combustible Assembly



Examples of Custom Bespoke Profiles

