



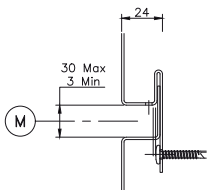
- Bespoke design and manufacture to suit your project
- Available in Aluminium, Steel, Al or A2 ACM and Cor-ten
- Fire tested as part of an complete NON-COMBUSTIBLE insulated assembly when combined with APL Tritherm Spacer System
- Al fire-rated materials available
- Available in PPC, Armacoil™ HDP, Anodised, PUF, PRISMA and LG finishes
- Secret-fix options available depending on module size
- Up to 25 year warranty available on both the coating and the substrate, including for marine environments

- Only the most economic material thickness to achieve true flatness of the panel is selected
- Available curved, perforated and dished – bespoke designs available
- Joints sizes from 3mm to 20mm
- Available in face widths up to 1100mm and lengths up to 6m
- Can be laid both horizontally and vertically
- System constructions available onto both cladding rails, SFS and blockwork

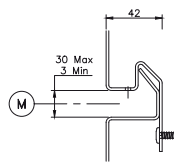




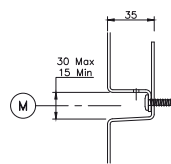
SFP24



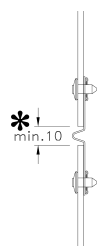
SFP42



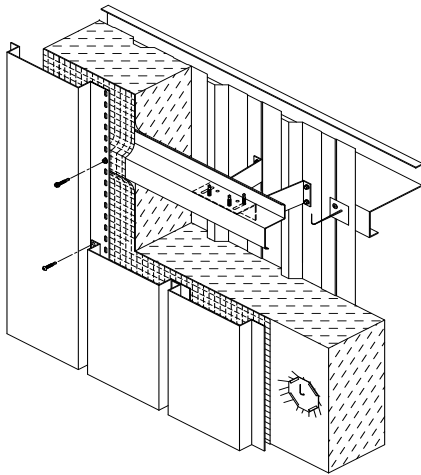
CPS/SSF



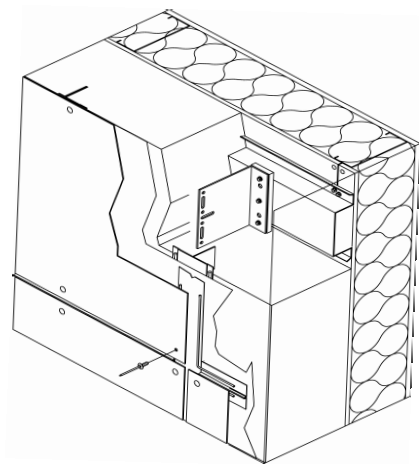
FF



**Typical non-combustible APL
Slimwall Vertical Assembly onto SFS**



**Typical non-combustible APL
Slimwall FF Assembly onto SFS**



Who are Architectural Profiles?



- Specialists in complete NON-COMBUSTIBLE “through-wall” and “through-roof” systems
- Established for nearly 40 years
- All systems and constructions fire-tested
- Specified by the UK’s leading Architects and Designers
- Chosen by the UK’s leading contractors and installers
- Provider of Cladshield - a 25-year fully-installed system warranty
- 55,000 sqft UK manufacturing facility
- Established members of the MCRMA & CWCT
- ISO:9001 & ISO:14001 registered

CUSTOM BESPOKE PANELS & PROFILES • STRONGBAK • MINERAL WOOL COMPOSITE ROOF & WALL PANELS
LOUVRE PROFILE & LIVE LOUVRES • RAINSCREEN & FLAT PANELS • WALL & ROOF PROFILES • APL SNAPLOC
& STANDING SEAM • SOFFITS • ARCHITECTURAL FLASHINGS • FLAT ROOF STRUCTURAL DECKINGS



Non-combustible system



25 year fully installed system warranty



Tel: 0118 927 2424 | Email: info@archprof.co.uk | www.archprof.co.uk

Architectural Profiles Limited 53 Crockhamwell Road, Woodley, Reading, Berkshire, RG5 3JP

All systems and products are subject to change. Terms and Conditions available upon request. v3

Established
35 years, all
manufactured
by us in the UK,
and proud of it!

